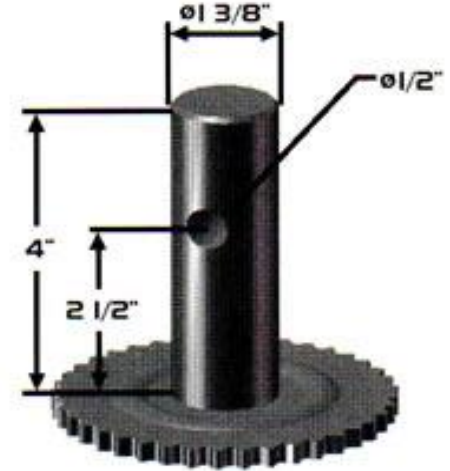


Scaffolding Caster



SC8-MOBSWB

- Industry standard specs
- Big-teeth total lock grip
- Grease zerk on raceway
- Wheel options:
 - Mold on Rubber
 - Poly on Cast Iron
 - Polyurethane
 - Polypropylene



Applications:

- Construction scaffolding
- Motion picture equipment
- On-site mobile equipment

Wheel Size	Wheel Type	Bearing	Load Capacity (lbs)	Swivel Radius	Load Height	Part Number
8" x 2"	Mold on rubber	Roller	600	6"	9.5"	SC8-MOBSWB
	Poly on cast iron	Roller	800			SC8-MPBSWB
	Poly on polyolefin	Roller	800			SC8-PPBSWB
	Polypropylene	Roller	800			SC8-DUBSWB
	Cast Iron	Roller	800			SC8-CIBSWB